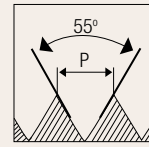




Round Split Dies

WF

Whitworth fine special threads

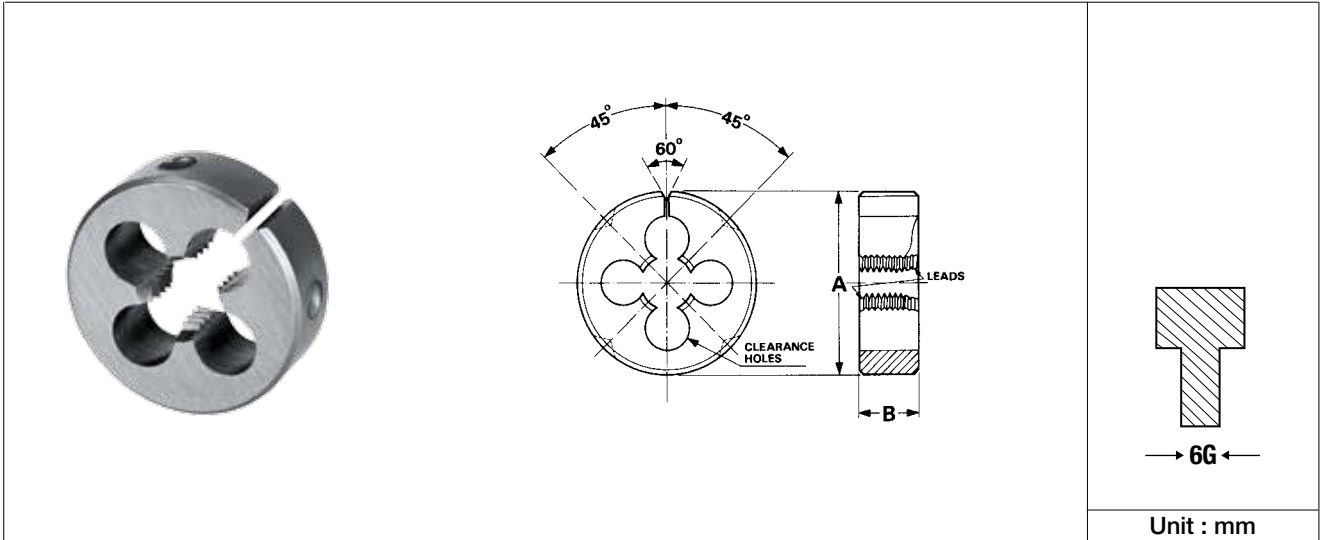


HSS

CS

BS
1127

6G



Unit : mm

Nominal Diameter ØD	TPI	Outer Diameter A	Thickness B	No. Clearance Hole	Threading Diameter	HSS	Carbon Steel
						EDP No.	EDP No.
11/64"	40	13/16"	1/4"	3	4.33	FBC0201032	FBB0201035
3/16"	28	13/16"	1/4"	3	4.73	FBC0201050	FBB0201045
13/64"	24	13/16"	1/4"	3	5.13	FBC0201038	FBB0201054
15/64"	28	13/16"	1/4"	4	5.92	FBC0201044	FBB0201068
1/4"	32	1"	3/8"	4	6.31	-	FBB0201083
9/32"	40	1"	3/8"	4	7.11	-	FBB0201087
5/16"	40	1"	3/8"	4	7.9	-	FBB0201091
3/8"	40	1"	3/8"	4	9.48	-	FBB0201095
7/16"	40	1.1/2"	1/2"	5	11.07	-	FBB0201107
1/2"	40	1.1/2"	1/2"	5	12.64	-	FBB0201131

DIES