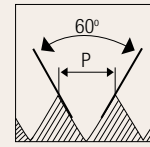




Round Split Dies

**UNC**

**Unified coarse threads**

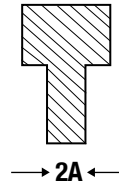
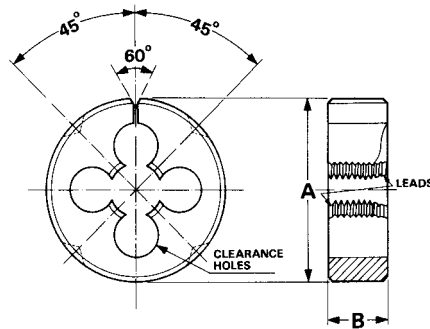


HSS

CS

BS  
1127

2A



Unit : mm

Nominal Diameter	TPI	Outer Diameter	Thickness	No. Clearance Hole	Threading Diameter	HSS	Carbon Steel
ØD		A	B			EDP No.	EDP No.
# 4	40	13/16"	1/4"	3	2.83	FBC0200682	FBB0200706
# 5	40	13/16"	1/4"	3	3.15	FBC0200688	FBB0200714
# 6	32	13/16"	1/4"	3	3.48	FBC0200704	FBB0200722
# 8	32	13/16"	1/4"	3	4.14	FBC0200715	FBB0200730
# 10	24	13/16"	1/4"	3	4.79	FBC0200726	FBB0200738
# 12	24	13/16"	1/4"	4	5.45	FBC0200742	FBB0200750
1/4"	20	13/16"	1/4"	4	6.31	FBC0200747	FBB0200758
1/4"	20	1"	3/8"	4	6.31	FBC0200753	FBB0200766
5/16"	18	1"	3/8"	4	7.89	FBC0200769	FBB0200782
3/8"	16	1"	3/8"	4	9.47	FBC0200791	FBB0200799
7/16"	14	1.1/2"	1/2"	4	11.05	FBC0200817	FBB0200824
1/2"	13	1.1/2"	1/2"	4	12.62	FBC0200843	FBB0200840
9/16"	12	1.1/2"	1/2"	5	14.21	FBC0200859	FBB0200852
5/8"	11	1.1/2"	1/2"	5	15.79	FBC0200865	FBB0200860
3/4"	10	1.1/2"	1/2"	6	18.96	FBC0200882	FBB0200872

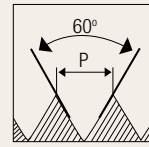
DIES



Round Split Dies

**UNC**

**Unified coarse threads**

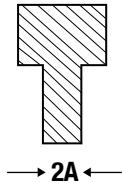
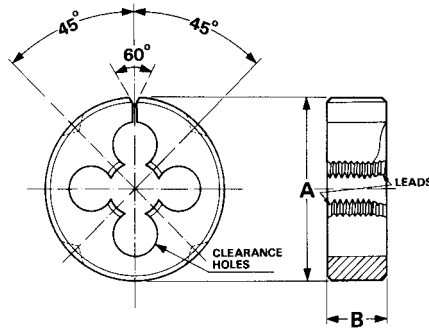


HSS

CS

BS  
1127

2A



Unit : mm

Nominal Diameter ØD	TPI	Outer Diameter A	Thickness B	No. Clearance Hole	Threading Diameter	HSS	Carbon Steel
						EDP No.	EDP No.
7/8"	9	2"	5/8"	5	22.14	FBC0200894	FBB0200880
1"	8	2"	5/8"	6	25.3	FBC0200900	FBB0200884
1.1/8"	7	2.1/4"	11/16"	6		FBM2300048	FBM2300322
1.1/4"	7	2.1/4"	11/16"	6		FBM2300050	FBM2300325
1.3/8"	6	2.1/2"	7/8"	6		FBM2300054	FBM2300327
1.1/2"	6	2.1/2"	7/8"	6		FBM2300056	FBM2300329
1.1/2"	6	3"	7/8"	6		FBM2300057	FBM3000530
1.3/4"	5	4"	1"	8		FBM2300058	FBM2300330
2"	4.5	4"	1"	6		FBM2300059	FBM2300331

DIES