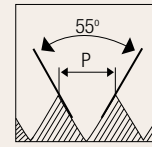




Round Split Dies

ME

Model engineer threads

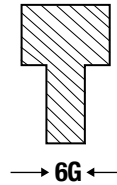
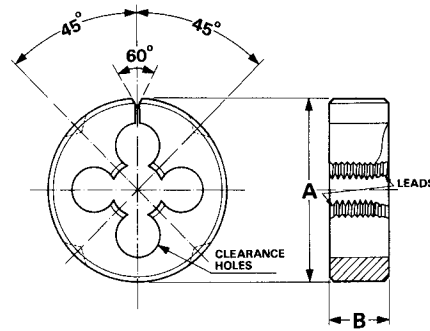


HSS

CS

BS
1127

6G



Unit : mm

Nominal Diameter	TPI	Outer Diameter	Thickness	No. Clearance Hole	Threading Diameter	HSS	Carbon Steel
						EDP No.	EDP No.
ØD		A	B				
1/8"	40	13/16"	1/4"	3	3.14	FBC0200906	FBB0200888
5/32"	32	13/16"	1/4"	3	3.93	FBC0200912	FBB0200892
3/16"	40	13/16"	1/4"	3	4.72	FBC0200918	FBB0200897
7/32"	40	13/16"	1/4"	4	5.51	FBC0200924	FBB0200902
1/4"	40	13/16"	1/4"	4	6.31	FBC0200930	FBB0200911
1/4"	40	1"	3/8"	4	6.31	FBC0202482	FBB0200916
9/32"	32	1"	3/8"	4	7.10	FBC0200936	FBB0200928
5/16"	32	1"	3/8"	4	7.90	FBC0200948	FBB0200946
3/8"	32	1"	3/8"	4	9.48	FBC0200954	FBB0200953

DIES