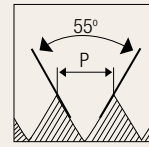




Round Split Dies

BSPT

British standard taper pipe threads

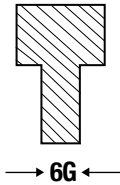
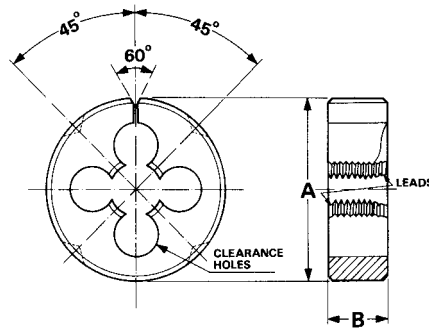


HSS

CS

BS
1127

6G



Unit : mm

| Nominal Diameter ØD | TPI | Outer Diameter A | Thickness B | No. Clearance Hole | Threading Diameter | HSS | Carbon Steel |
|------------------------|-----|---------------------|----------------|--------------------|--------------------|------------|--------------|
| | | | | | | EDP No. | EDP No. |
| 1/8" | 28 | 1" | 10 | 4 | | FBM2300147 | FBM2300434 |
| 1/8" | 28 | 1.1/2" | 10 | 4 | | FBM2300148 | FBM2300435 |
| 1/4" | 19 | 1.1/2" | 14 | 4 | | FBM2300149 | FBM2300437 |
| 3/8" | 19 | 1.1/2" | 14 | 5 | | FBM2300150 | FBM2300439 |
| 3/8" | 19 | 2" | 14 | 5 | | FBM2300151 | FBM2300440 |
| 1/2" | 14 | 2" | 19 | 5 | | FBM2300152 | FBM2300441 |
| 3/4" | 14 | 2" | 20 | 6 | | FBM2300153 | FBM2300442 |
| 3/4" | 14 | 2.1/2" | 22 | 6 | | FBM2300154 | FBM2300443 |
| 1" | 11 | 2.1/2" | 25 | 6 | | FBM2300156 | FBM2300444 |
| 1" | 11 | 3" | 25 | 6 | | FBM2300157 | FBM2300445 |
| 1.1/4" | 11 | 3" | 25 | 6 | | FBM2300159 | FBM2300446 |
| 1.1/2" | 11 | 4" | 25 | 6 | | FBM2300160 | FBM2300447 |
| 2" | 11 | 4" | 27 | 6 | | FBM2300161 | FBM2300448 |

DIES