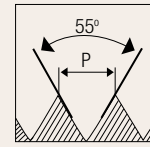




Round Split Dies

BSP

British standard pipe threads

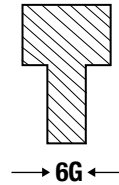
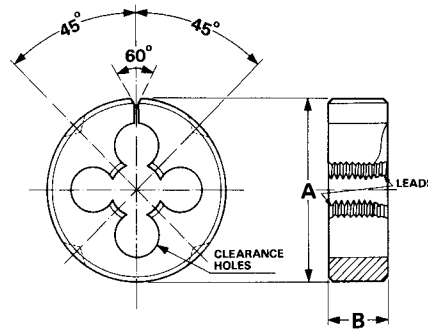


HSS

CS

BS
1127

6G



Unit : mm

| Nominal Diameter ØD | TPI | Outer Diameter A | Thickness B | No. Clearance Hole | Threading Diameter | HSS | Carbon Steel |
|------------------------|-----|---------------------|----------------|--------------------|--------------------|------------|--------------|
| | | | | | | EDP No. | EDP No. |
| 1/8" | 28 | 1" | 3/8" | 4 | 9.68 | FBC0202117 | FBB0202071 |
| 1/4" | 19 | 1.1/2" | 1/2" | 5 | 13.11 | FBC0202138 | FBB0202088 |
| 3/8" | 19 | 1.1/2" | 1/2" | 5 | 16.6 | FBC0202149 | FBB0202097 |
| 1/2" | 14 | 1.1/2" | 1/2" | 6 | 20.89 | FBC0202160 | FBB0202106 |
| 1/2" | 14 | 2" | 5/8" | 5 | 20.89 | FBC0202166 | FBB0202111 |
| 5/8" | 14 | 2" | 5/8" | 6 | 22.84 | FBC0202172 | FBB0202116 |
| 3/4" | 14 | 2" | 5/8" | 6 | 26.36 | FBC0202178 | FBB0202120 |
| 7/8" | 14 | 2" | 5/8" | 6+6 | 30.11 | FBC0202184 | FBB0202125 |
| 1" | 11 | 2" | 5/8" | 6+6 | 33.16 | FBC0202190 | FBB0202129 |
| 1.1/8" | 11 | 2.1/2" | 7/8" | 6 | | FBM2300139 | FBM2300426 |
| 1.1/4" | 11 | 2.1/2" | 7/8" | 6 | | FBM2300140 | FBM2300427 |
| 1.1/4" | 11 | 3" | 7/8" | 6 | | FBM2300141 | FBM2300428 |
| 1.3/8" | 11 | 4" | 1" | | | FBM2300142 | FBM2300430 |
| 1.1/2" | 11 | 4" | 1" | 6 | | FBM2300144 | FBM2300431 |
| 1.3/4" | 11 | 4" | 1" | | | FBM2300145 | FBM2300432 |
| 2" | 11 | 4" | 1" | 6 | | FBM2300146 | FBM2300433 |

DIES