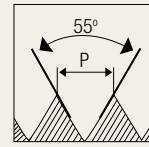




Round Split Dies

BSB

British brass threads

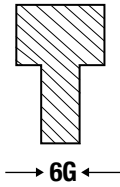
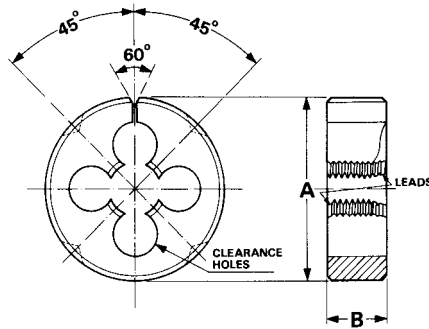


HSS

CS

BS
1127

6G



Unit : mm

Nominal Diameter ØD	TPI	Outer Diameter A	Thickness B	No. Clearance Hole	Threading Diameter	HSS	Carbon Steel
						EDP No.	EDP No.
1/4"	26	13/16"	1/4"	4	6.31	FBC0200371	FBB0200399
1/4"	26	1"	3/8"	4	6.31	FBC0200377	FBB0200403
5/16"	26	1"	3/8"	4	7.89	FBC0200383	FBB0200416
3/8"	26	1"	3/8"	4	9.48	FBC0200389	FBB0200425
7/16"	26	1.1/2"	1/2"	5	11.06	FBC0200395	FBB0200442
1/2"	26	1.1/2"	1/2"	5	12.64	FBC0200401	FBB0200455
9/16"	26	1.1/2"	1/2"	5	14.23	FBC0200407	FBB0200468
5/8"	26	1.1/2"	1/2"	5	15.81	FBC0200413	FBB0200476
3/4"	26	1.1/2"	1/2"	6	18.98	FBC0200419	FBB0200485

DIES