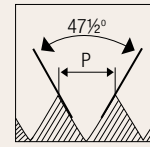




Round Split Dies

**BA**

**British association threads**

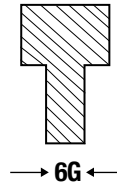
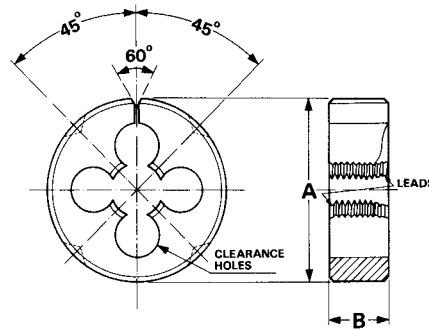


HSS

CS

BS  
1127

6G



Unit : mm

Nominal Diameter	TPI	Outer Diameter	Thickness	No. Clearance Hole	Threading Diameter	HSS	Carbon Steel
		A	B			EDP No.	EDP No.
# 12	90.9	13/16"	1/4"	3	1.27	FBC0202220	FBB0202153
# 11	81.9	13/16"	1/4"	3	1.47	FBC0202226	FBB0202158
# 10	72.6	13/16"	1/4"	3	1.67	FBC0202232	FBB0202163
# 9	65.1	13/16"	1/4"	3	1.87	FBC0202238	FBB0202168
# 8	59.1	13/16"	1/4"	3	2.16	FBC0202244	FBB0202173
# 7	52.9	13/16"	1/4"	3	2.46	FBC0202250	FBB0202178
# 6	47.9	13/16"	1/4"	3	2.76	FBC0202256	FBB0202183
# 5	43	13/16"	1/4"	3	3.15	FBC0202262	FBB0202188
# 4	38.5	13/16"	1/4"	3	3.55	FBC0202268	FBB0202193
# 3	34.8	13/16"	1/4"	3	4.04	FBC0202274	FBB0202198
# 2	31.4	13/16"	1/4"	3	4.64	FBC0202280	FBB0202203
# 1	28.2	13/16"	1/4"	4	5.23	FBC0202286	FBB0202208
# 0	25.4	13/16"	1/4"	4	5.92	FBC0202292	FBB0202213

DIES