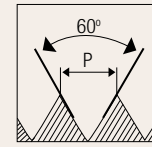
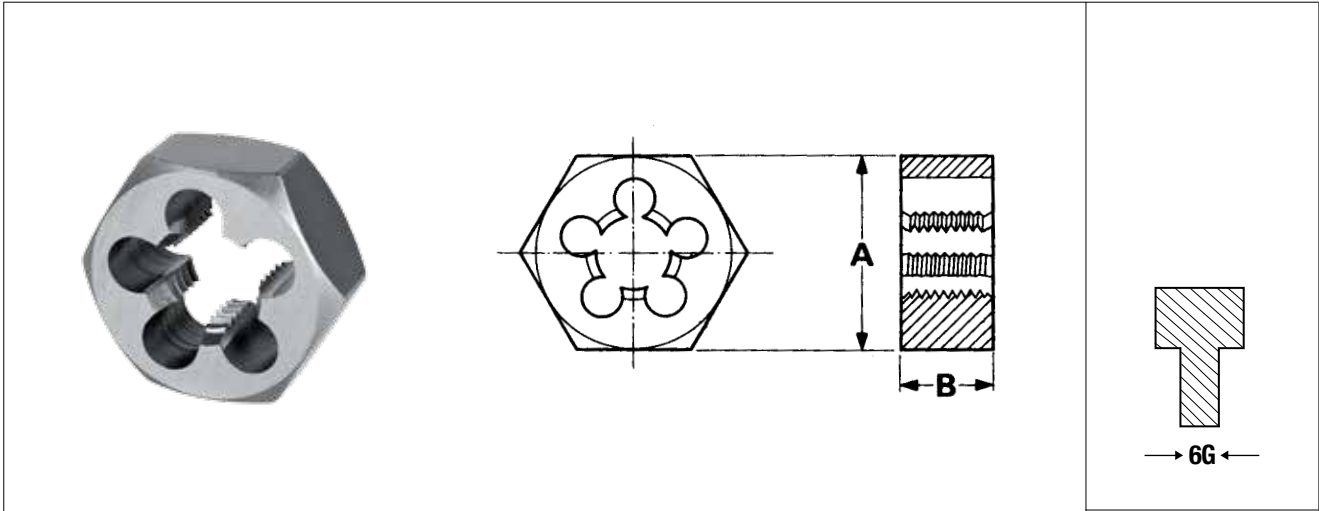


MF

Metric fine threads



HSS
CS
BS 1127
6G



Unit : mm

Nominal Diameter	Pitch	Across Flat	Thickness	HSS	Carbon Steel
ØD	p	A		EDP No.	EDP No.
M 3	0.6	0.710"	6.35	-	FBD2300125
M 3.5	0.6	0.710"	6.35	-	FBD2300126
M 4	0.75	0.710"	6.35	-	FBD2300128
M 5	0.5	0.710"	6.35	-	FBD2300129
M 6	0.75	0.710"	6.35	FBE2300083	FBD2300134
M 7	1	0.710"	6.35	FBE2300085	FBD2300136
M 8	1	0.820"	7.94	FBE2300086	FBD2300138
M 9	1.25	0.920"	9.53	FBE2300088	FBD2300140
M 10	1	0.920"	9.53	FBE2300089	FBD2300142
M 10	1.25	0.920"	9.53	FBE2300090	FBD2300143
M 11	1.5	1.010"	11.11	FBE2300092	FBD2300146
M 12	1	1.100"	12.70	FBE2300093	FBD2300147
M 12	1.25	1.100"	12.70	FBE2300094	FBD2300148
M 12	1.5	1.100"	12.70	FBE2300095	FBD2300149

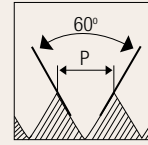
DIES



Hexagonal Dies

MF

Metric fine threads

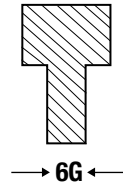
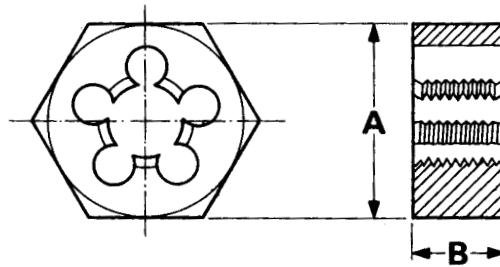


HSS

CS

BS
1127

6G



Unit : mm

Nominal Diameter	Pitch	Across Flat	Thickness	HSS	Carbon Steel
ØD	p	A		EDP No.	EDP No.
M 14	1.25	1.300"	15.88	–	FBD2300152
M 14	1.5	1.300"	15.88	FBE2300097	FBD2300153
M 16	1.5	1.300"	15.88	FBE2300099	FBD2300158
M 18	1.5	1.480"	17.46	FBE2300101	FBD2300162
M 20	1.5	1.480"	17.46	FBE2300103	FBD2300164
M 22	1.5	1.670"	20.63	FBE2300105	FBD2300167
M 24	1.5	2.050"	23.81	FBE2300107	FBD2300170
M 25	1.5	2.220"	26.99	–	FBD2300173
M 27	1.5	2.220"	26.99	FBE2300109	FBD2300174
M 27	2	2.220"	26.99	–	FBD2300175
M 30	1.5	2.220"	26.99	FBE2300111	FBD2300179
M 30	2	2.220"	26.99	–	FBD2300180
M 30	3	2.220"	26.99	–	FBD2300181
M 32	1.5	2.220"	26.99	–	FBD2300183
M 33	3.5	2.580"	28.58	–	FBD2300187

DIES